

The presentation lectern **LETV4250** can accommodate displays in both Portrait or Landscape setups. A pull out shelf built into the right side can accommodate up to 17" laptops or tablets. It's durable with primarily metal construction and thermo wrapped top surface. A built-in CUB3 grommet provides 110V and USB power outlets ideal for powering laptops, phones or tablets.

**Standard Features**

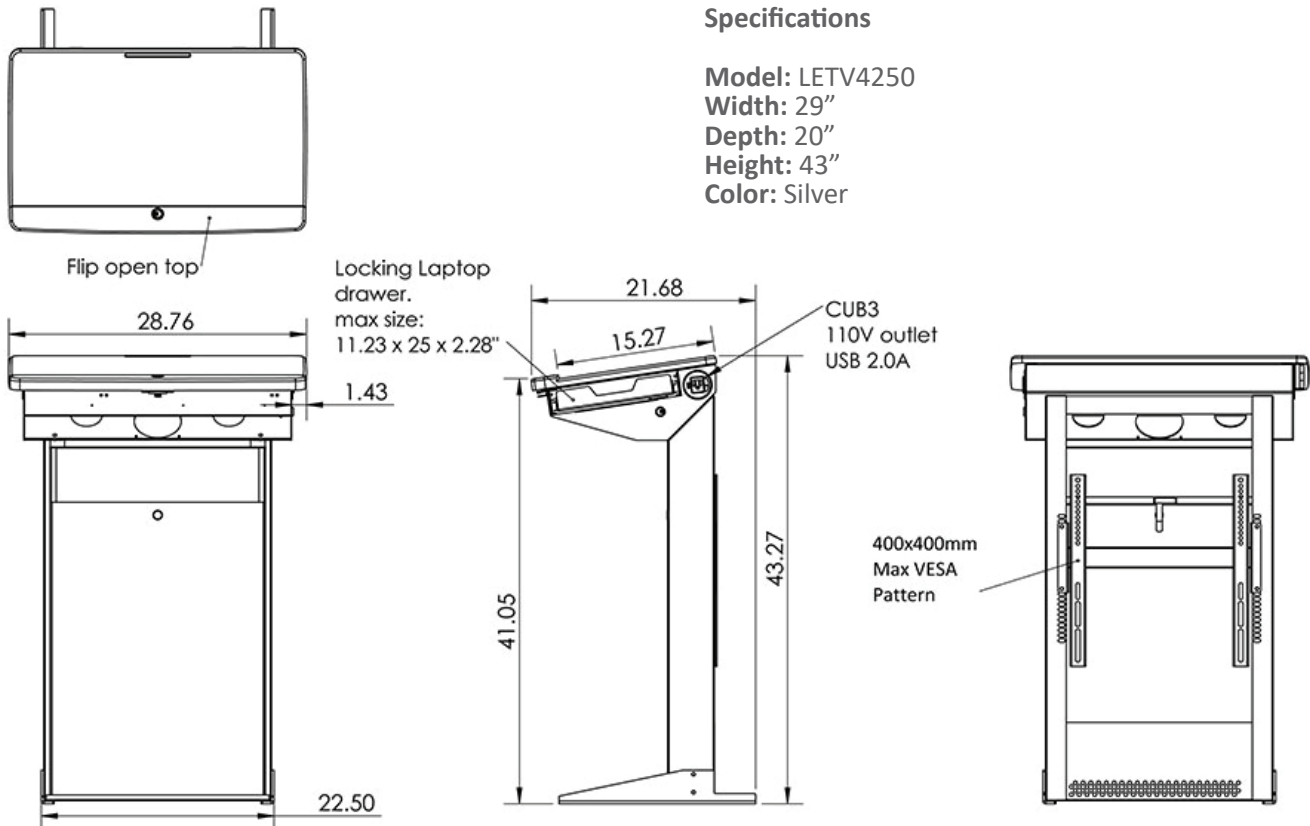
- Accommodates 42"-50" displays in portrait mode, 400 x 400mm max VESA pattern
- Accommodates 60"-75" displays in landscape mode, 400 x 400mm max VESA pattern
- Locking laptop shelf slides inside when not needed
- TV can be installed in portrait or landscape position
- Cable access through bottom and grommets
- Includes CUB3 power/USB grommet and 6 outlet power bar
- Includes front panel to conceal cables/wiring
- Scratch resistant powder coat finish

**Options**

- **MIC-18** MX418 S/C Shure Gooseneck microphone
- **LIGHT-18** Littlite Gooseneck
- **CUSTOM CUTOUT** Cutouts for electronics or other items specified by the customer

**Specifications**

**Model:** LETV4250  
**Width:** 29"  
**Depth:** 20"  
**Height:** 43"  
**Color:** Silver



The information contained in this drawing is the sole property of Audio Visual Furniture International. Any reproduction in part or as a whole without the written permission of Audio Visual Furniture International is prohibited. AVFI can build or modify stock configurations to suit customer specifications. Please contact us to discuss how this service can help meet your needs. Some quantity restrictions may apply. Specification subject to change without notice. Computers, cameras, monitors, etc. are shown to illustrate product usage and are not included unless otherwise noted.